

This new Brushless motor developed by TWF HOBBY is created with the latest, CNC cutting edge technology with high precision available today. It features high-torque, super power, high-temperature resistant and low wear-resisting which would provide a safe and reliable power system for your model.

Specification:

(Unit:mm)

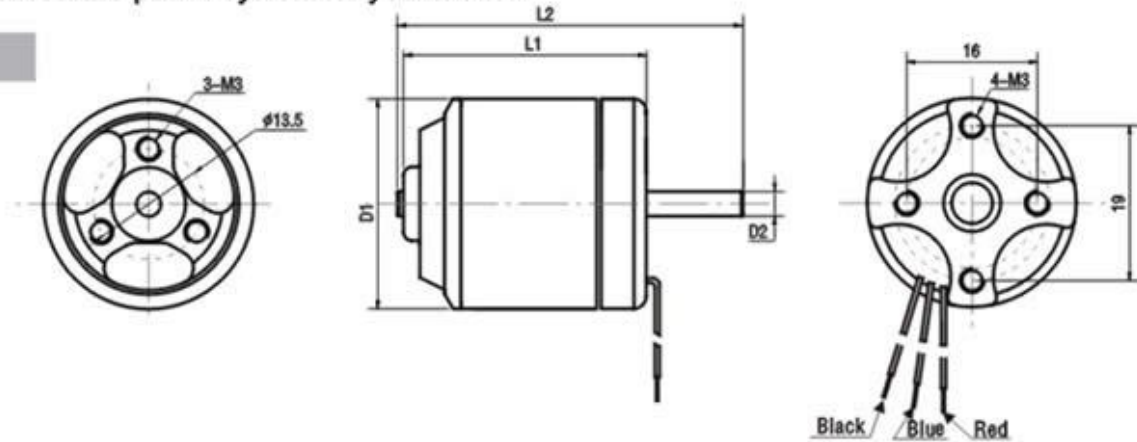
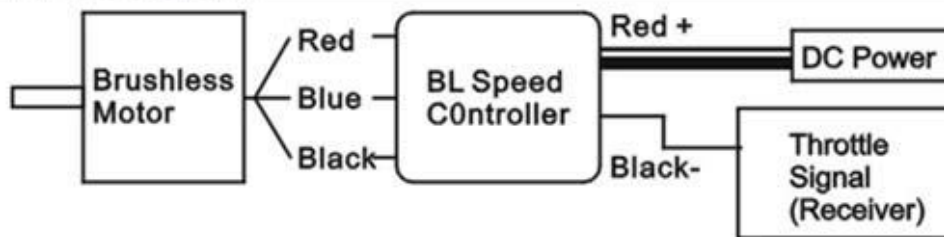


Illustration:



Exchange two wire for changing motor rotation direction.

Model	EK5-0001	EK5-0002	EK5-0002B	EK5-0003	EK5-0003B	EK5-0004	EK5-0005	EK5-0006
Motor weight (g)	30	45	45	62	62	40	40	58
Motor length (L ₁) (mm)	17	28	28	30	30	28	28	30
Motor diameter (D ₁) (mm)	25.6	25.6	25.6	27.7	27.7	25.6	25.6	27.7
Shaft diameter (D ₂) (mm)	3	3	3	3	3	2.3	2.3	2.3
KV (RPM/V)	1500	1000	1000	900	900	3100	3900	3800
Free load current (A)	0.6	0.7	0.7	0.4	0.4	1.5	1.9	1.9
Shaft Length (L ₂)	30.5	40.5	40.5	43	43	40	40	43
Max current (A)	5	8	8	13	13	13	15	20
Speed controller requirement(A)	25	25	25	25	25	25	25	25
Suggestion model:	Light 3D indoor flying	3D direct-drive power plane	3D direct-drive power plane	Direct drive rotor for balsa airplane	Direct drive rotor for balsa airplane	(Use for 500 Series) small EP Helicopter	(Use for 500 Series) EP Helicopter	(Use for 600 Series) EP Helicopter

Features:

1. This motor owns a light, compact design. Gilt terminals are included for simple connection with ESC. The motor operates with stable performance, high efficiency and low power consumption. The motors will provide many hours of smooth, reliable, quiet, and efficient flying.
 2. These new brushless motors are designed with a new radiator system which efficiently decreases the temperature cause from load operation. Through the fun, the freezing air and hot air circulated ceaselessly in the rotor which keeps a stable temperature for the motor effectively.
 3. The motors feature High-speed ball bearings, powerful magnetic outrunner rotor. These high-torque, high-speed, brushless motors are suitable for RC electronic products. The features of high efficiency output, low wear-resisting, and light weight are suitable for electronic car airplane / helicopters which require high-torque and high-speed power systems.
- We recommend using one of our perfectly mated Brushless Speed Controllers, such as (ESKY) or other brushless electronic speed controllers available on the market.
 - Rotor is constructed with very powerful Ndfeb Magnets. The stator is coiled by our NC auto winding machine, formed and protected with high strength resin for heat resistance and low vibration. The spindle is designed with Hardened Stainless Steel and a double ZZ high speed bearing. Additionally, this high performance brushless AC motor is custom developed by TWF technology specifically for RC model use. These motors provide long lasting, high efficiency, impact-resistance, low magnetic loss.
 - These new products have passed various thorough inspections made by our technical department, including motive testing, static testing, magnetic field testing, heat resistance and magnetic loss testing, running balance and vibration testing, noise testing, and many hours of actual loading and flying testing, etc. TWF HOBBY is proud to provide the latest innovations in RC Modeling to its customers. Please enjoy your TWF HOBBY products safely.